

SKSHK310HST
TRANSITIONAL SERIES
MEDIUM HANDLE



Front

Side

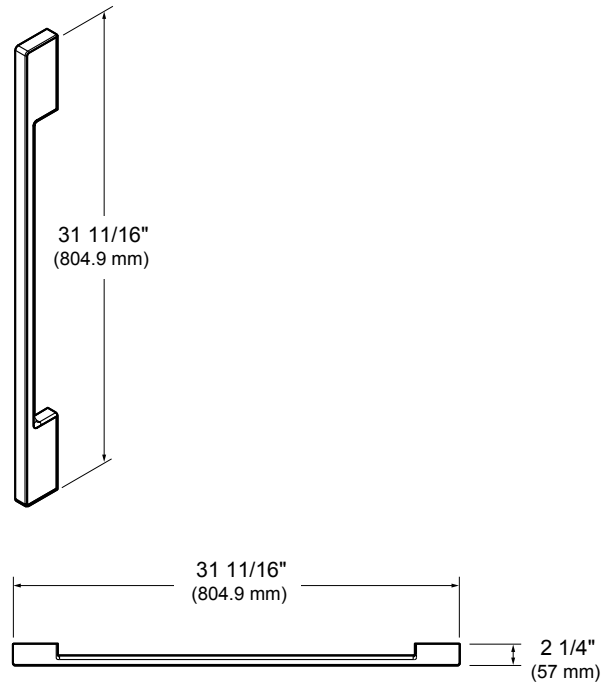
UPC, Dimensions and Weight

UPC	195174082973
Overall Width (inches)	13/16"
Overall Height (inches)	31 11/16"
Overall Depth (inches)	2 1/4"
Net Weight (approx.)	3.1 lbs
Shipping Weight (approx.)	3.7 lbs

Works with ...

French Door Refrigerators	SKSFD4826P SKSFD3604P
Integrated Refrigerator Columns	SKSCR3001P SKSCR2401P
Integrated Freezer Columns	SKSCF3001P SKSCF2401P SKSCF1801P
Integrated Wine Columns	SKSCW241RP SKSCW181RP

OVERALL DIMENSIONS



©2025 LG Electronics USA, Inc. All rights reserved. "Signature Kitchen Suite" and the Signature Kitchen Suite logo are registered trademarks of LG Electronics Inc. Design, features and specifications are subject to change without notice. Specifications are for planning purposes only. Consult the product's installation instructions for final dimensional data and other details prior to making cutouts or custom panels. Consult with a heating and ventilation engineer for your specific ventilation requirements. Non-metric weights and measurements are approximate. Smart features require Internet access.